



Message Implementation Guideline

EURO-LOG ZF TMS IFCSUM

based on

IFCSUM

Forwarding and consolidation summary message

UN D.01B S3

Version: 1
Variant: 14
Issue date: 7/19/2024
Author: SL

EURO-LOG ZF TMS IFCSUM

Message Structure / Table of Contents

Counter	No	Tag	St	MaxOcc	Name
0000	1	UNA	C	1	Service string advice
0000	2	UNB	M	1	Interchange header
0010	3	UNH	M	1	Message header
0020	4	BGM	M	1	Beginning of message
0030	5	DTM	R	9	Date/time/period
0050	6	FTX	C	98	Free text
0050	7	FTX	C	1	Free text
0060	8	CNT	R	9	Control total
0060	9	CNT	R	9	Control total
0060	10	CNT	R	9	Control total
0090		SG1	R	9	RFF
0100	11	RFF	M	1	Reference
0210		SG4	C	9	NAD
0220	12	NAD	M	1	Name and address
0420		SG9	R	9	TDT-TSR-SG11
0430	13	TDT	M	1	Details of transport
0450	14	TSR	C	9	Transport service requirements
0510		SG11	C	9	MEA
0520	15	MEA	M	1	Measurements
1120		SG25	R	9999	CNI-DTM-DTM-FTX-SG31-SG32-SG32-SG43-SG50
1130	16	CNI	M	1	Consignment information
1260	17	DTM	R	9	Date/time/period
1260	18	DTM	R	9	Date/time/period
1320	19	FTX	C	99	Free text
1370		SG31	R	2	TOD-LOC
1380	20	TOD	M	1	Terms of delivery or transport
1390	21	LOC	C	9	Place/location identification
1400		SG32	C	999	RFF
1410	22	RFF	M	1	Reference
1400		SG32	C	999	RFF
1410	23	RFF	M	1	Reference
1900		SG43	C	99	NAD-LOC-SG44
1910	24	NAD	M	1	Name and address
1920	25	LOC	C	9	Place/location identification
1940		SG44	C	9	CTA-COM-COM-COM-COM
1950	26	CTA	M	1	Contact information
1960	27	COM	R	9	Communication contact
1960	28	COM	R	9	Communication contact
1960	29	COM	R	9	Communication contact
1960	30	COM	R	9	Communication contact
2230		SG50	R	999	GID-FTX-SG52-SG52-SG52-SG53-SG55-SG65

No = Consecutive segment number
 MaxOcc = Maximum occurrence of the segment/group
 Counter = Counter of segment/group within the standard

St = Status
 EDIFACT: M=Mandatory, C=Conditional
 User specific: R=Required, O=Optional, D=Dependent,
 A=Advised, N=Not used

EURO-LOG ZF TMS IFCSUM

Message Structure / Table of Contents

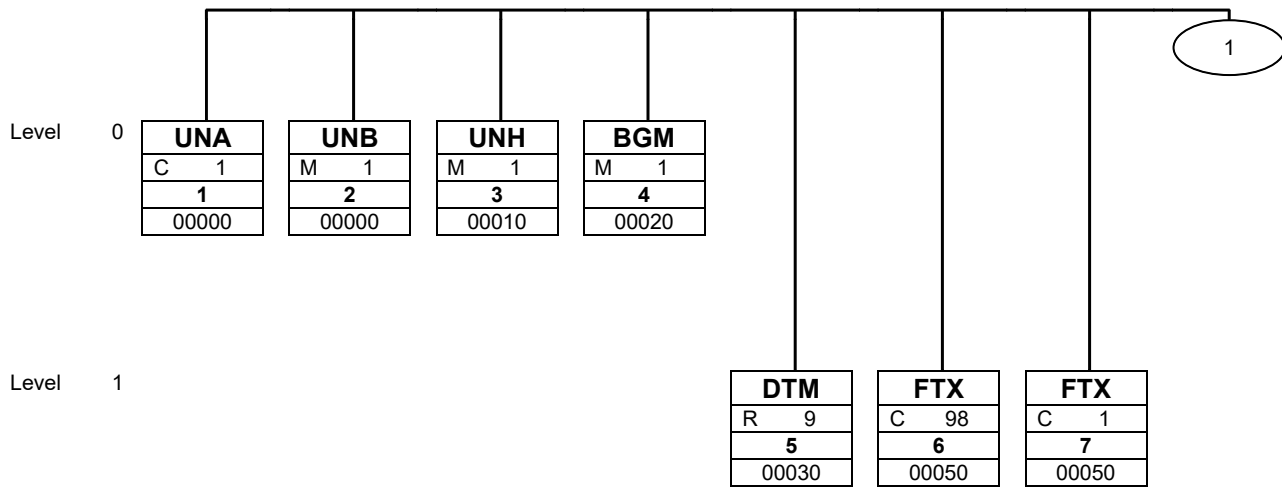
Counter	No	Tag	St	MaxOcc	Name	
	2240	31	GID	M	1	Goods item details
	2330	32	FTX	R	9	Free text
	2380		SG52	R	99	MEA
	2390	33	MEA	M	1	Measurements
	2380		SG52	R	99	MEA
	2390	34	MEA	M	1	Measurements
	2380		SG52	R	99	MEA
	2390	35	MEA	M	1	Measurements
	2410		SG53	C	99	DIM
	2420	36	DIM	M	1	Dimensions
	2470		SG55	C	999	PCI-MEA
	2480	37	PCI	M	1	Package identification
	2520	38	MEA	C	9	Measurements
	2910		SG65	C	99	DGS
	2920	39	DGS	M	1	Dangerous goods
	3370	40	UNT	M	1	Message trailer
	0000	41	UNZ	M	1	Interchange trailer

No = Consecutive segment number
 MaxOcc = Maximum occurrence of the segment/group
 Counter = Counter of segment/group within the standard

St = Status
 EDIFACT: M=Mandatory, C=Conditional
 User specific: R=Required, O=Optional, D=Dependent,
 A=Advised, N=Not used

EURO-LOG ZF TMS IFCSUM

Branching Diagram

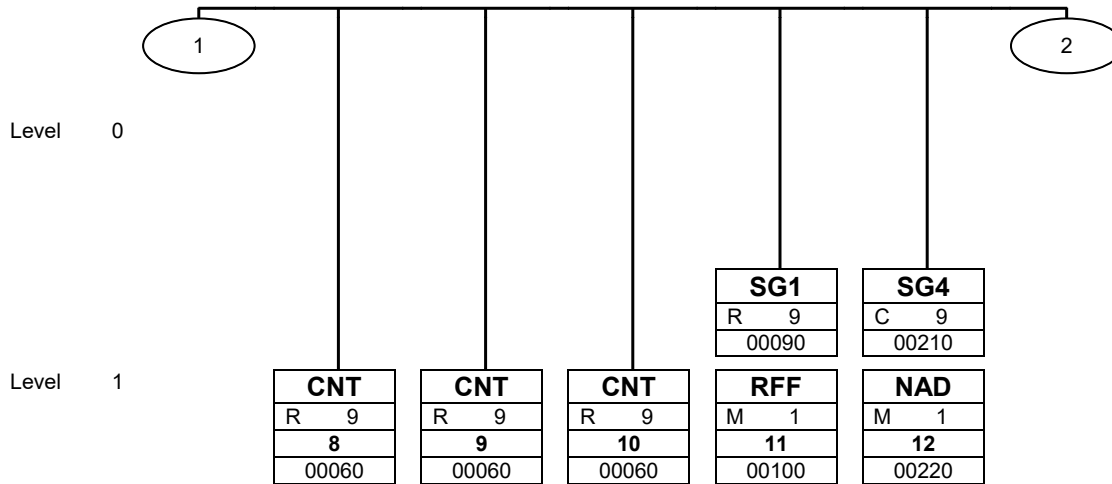


Tag
St MaxOcc
No
Counter

Tag = Segment/Group Tag
 St = Status (M=Mandatory, C=Conditional, R=Required, O=Optional, A=Advised, D=Dependent)
 MaxOcc = Maximum occurrence of the segment/group
 No = Consecutive segment number
 Counter = Counter of segment/group within the standard

EURO-LOG ZF TMS IFCSUM

Branching Diagram

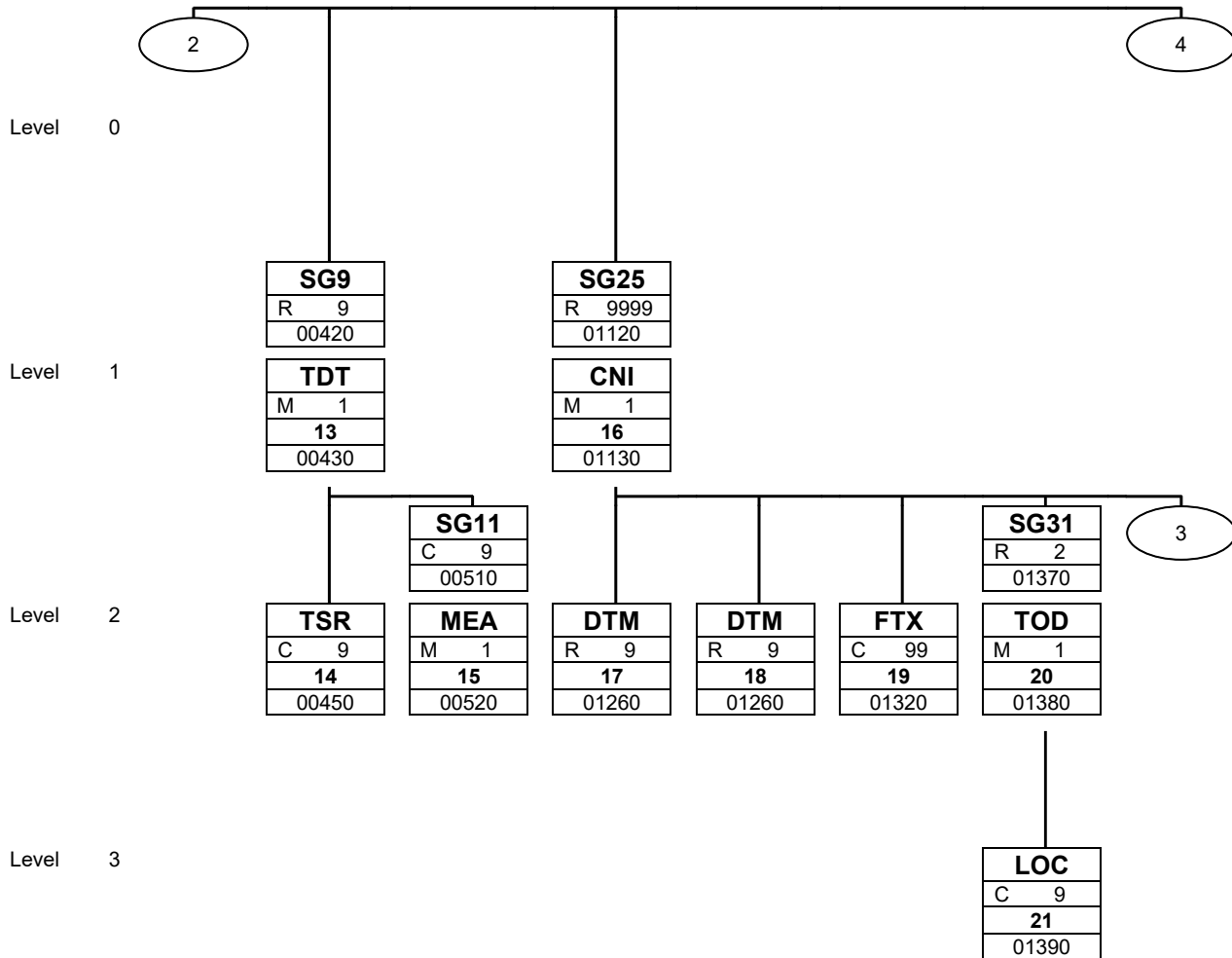


Tag
St MaxOcc
No
Counter

Tag = Segment/Group Tag
 St = Status (M=Mandatory, C=Conditional, R=Required, O=Optional, A=Advised, D=Dependent)
 MaxOcc = Maximum occurrence of the segment/group
 No = Consecutive segment number
 Counter = Counter of segment/group within the standard

EURO-LOG ZF TMS IFCSUM

Branching Diagram

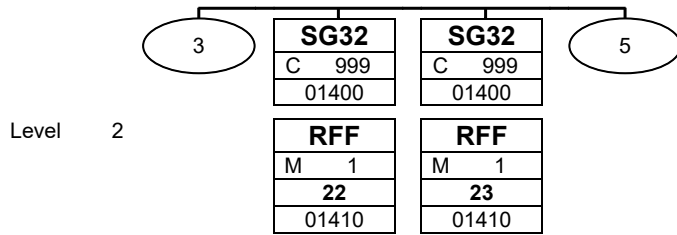


Tag
St MaxOcc
No
Counter

Tag = Segment/Group Tag
 St = Status (M=Mandatory, C=Conditional, R=Required, O=Optional, A=Advised, D=Dependent)
 MaxOcc = Maximum occurrence of the segment/group
 No = Consecutive segment number
 Counter = Counter of segment/group within the standard

EURO-LOG ZF TMS IFCSUM

Branching Diagram

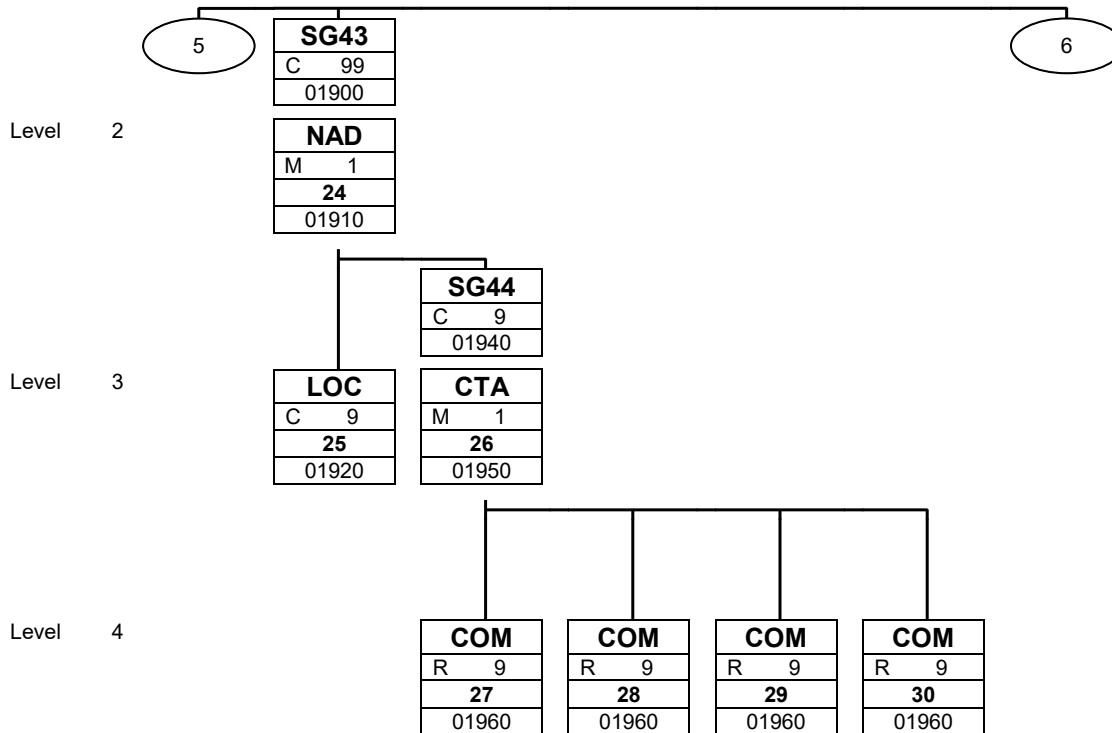


Tag
St MaxOcc
No
Counter

Tag = Segment/Group Tag
 St = Status (M=Mandatory, C=Conditional, R=Required, O=Optional, A=Advised, D=Dependent)
 MaxOcc = Maximum occurrence of the segment/group
 No = Consecutive segment number
 Counter = Counter of segment/group within the standard

EURO-LOG ZF TMS IFCSUM

Branching Diagram

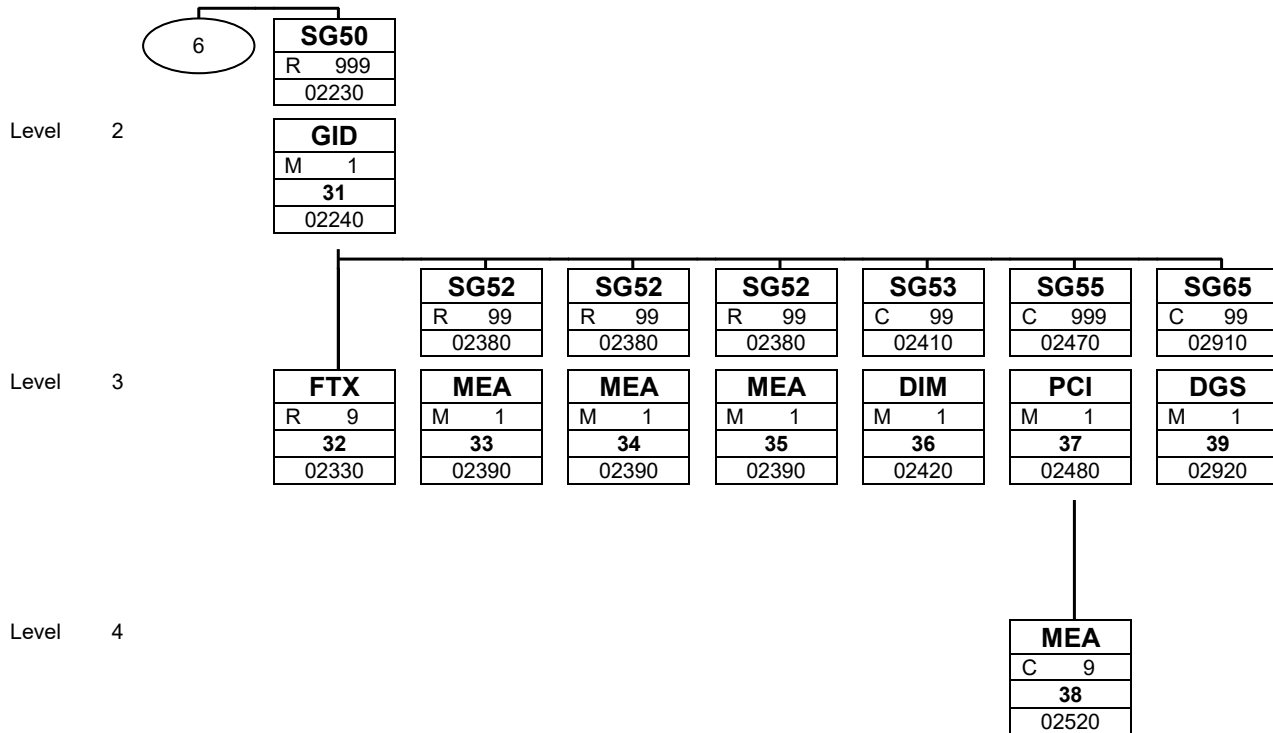


Tag
St MaxOcc
No
Counter

Tag = Segment/Group Tag
 St = Status (M=Mandatory, C=Conditional, R=Required, O=Optional, A=Advised, D=Dependent)
 MaxOcc = Maximum occurrence of the segment/group
 No = Consecutive segment number
 Counter = Counter of segment/group within the standard

EURO-LOG ZF TMS IFCSUM

Branching Diagram

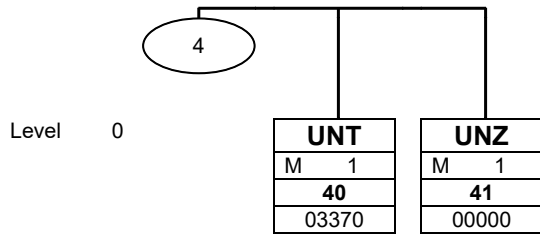


Tag
St MaxOcc
No
Counter

Tag = Segment/Group Tag
 St = Status (M=Mandatory, C=Conditional, R=Required, O=Optional, A=Advised, D=Dependent)
 MaxOcc = Maximum occurrence of the segment/group
 No = Consecutive segment number
 Counter = Counter of segment/group within the standard

EURO-LOG ZF TMS IFCSUM

Branching Diagram



Tag
St MaxOcc
No
Counter

Tag = Segment/Group Tag
 St = Status (M=Mandatory, C=Conditional, R=Required, O=Optional, A=Advised, D=Dependent)
 MaxOcc = Maximum occurrence of the segment/group
 No = Consecutive segment number
 Counter = Counter of segment/group within the standard

EURO-LOG ZF TMS IFCSUM

Segments

Segment:

UNA

No: 1
Status: C

Level: 0
MaxOcc: 1

Counter: 0000
Service string advice

		Standard	Implementation	
Tag	Name	St Format	St Format	Usage / Remarks
UNA				
UNA1	Component data element separator	M an1	M an1	
UNA2	Data element separator	M an1	M an1	
UNA3	Decimal notation	M an1	M an1	
UNA4	Release indicator	M an1	M an1	
UNA5	Reserved for future use	M an1	M an1	
UNA6	Segment terminator	M an1	M an1	

Remark:

Example:

UNA:+. ? '

No = Consecutive segment number
MaxOcc = Maximum occurrence of the segment/group
Counter = Counter of segment/group within the standard

St = Status
EDIFACT: M=Mandatory, C=Conditional
User specific: R=Required, O=Optional, D=Dependent,
A=Advised, N=Not used

EURO-LOG ZF TMS IFCSUM

Segments

Segment:

UNB

No: 2
Status: M

Level: 0
MaxOcc: 1

Counter: 0000
Interchange header

		Standard	Implementation	
Tag	Name	St Format	St Format	Usage / Remarks
UNB				
S001	Syntax identifier	M	M	
0001	Syntax identifier	M a4	M a4	
0002	Syntax version number	M n1	M n1	
S002	Interchange sender	M	M	
0004	Sender identification	M an..35	M an..35	Sender ID (TOMS system)
0007	Partner identification code qualifier	C an..4	N an..4	Not used
0008	Address for reverse routing	C an..14	N an..14	Not used
S003	Interchange recipient	M	M	
0010	Recipient identification	M an..35	M an..35	Receiver ID (Receiver TMS system)
0007	Partner identification code qualifier	C an..4	N an..4	Not used
0014	Routing address	C an..14	N an..14	Not used
S004	Date/time of preparation	M	M	
0017	Date of preparation	M n6	M n6	
0019	Time of preparation	M n4	M n4	
0020	Interchange control reference	M an..14	M an..14	Transaction number
S005	Recipient's reference, password	C	N	
0022	Recipient's reference/password	M an..14	N an..14	Not used
0025	Recipient's reference/password qualifier	C an2	N an2	Not used
0026	Application reference	C an..14	N an..14	Not used
0029	Processing priority code	C a1	N a1	Not used
0031	Acknowledgement request	C n1	N n1	Not used
0032	Communications agreement ID	C an..35	N an..35	Not used
0035	Test indicator	C n1	N n1	Not used

Remark:

Example:

UNB+UNOC:3+Sender+Receiver+190208:1007+X'

No = Consecutive segment number
MaxOcc = Maximum occurrence of the segment/group
Counter = Counter of segment/group within the standard

St = Status
EDIFACT: M=Mandatory, C=Conditional
User specific: R=Required, O=Optional, D=Dependent,
A=Advised, N=Not used

EURO-LOG ZF TMS IFCSUM

Segments

Segment:

UNH

No: 3
Status: M

Level: 0
MaxOcc: 1

Counter: 0010
Message header

		Standard	Implementation	
Tag	Name	St Format	St Format	Usage / Remarks
UNH				
0062	Message reference number	M an..14	M an..14	Unique message number
S009	Message identifier	M	M	
0065	Message type	M an..6	M an..6	
0052	Message version number	M an..3	M an..3	
0054	Message release number	M an..3	M an..3	
0051	Controlling agency	M an..2	M an..2	
0057	Association assigned code	C an..6	N an..6	Not used
0068	Common access reference	C an..35	N an..35	Not used
S010	Status of the transfer	C	N	
0070	Sequence of transfers	M n..2	N n..2	Not used
0073	First and last transfer	C a1	N a1	Not used

Remark:

Example:

UNH+1+IFCSUM:D:01B:UN'

No = Consecutive segment number
MaxOcc = Maximum occurrence of the segment/group
Counter = Counter of segment/group within the standard

St = Status
EDIFACT: M=Mandatory, C=Conditional
User specific: R=Required, O=Optional, D=Dependent,
A=Advised, N=Not used

EURO-LOG ZF TMS IFCSUM

Segments

Segment:

BGM

No: 4
Status: M

Level: 0
MaxOcc: 1

Counter: 0020
Beginning of message

		Standard	Implementation	
Tag	Name	St Format	St Format	Usage / Remarks
BGM				
C002	Document/message name	C	C	
1001	Document name code	C an..3	C an..3	Transport Instruction number assigned by the document sender.
1131	Code list identification code	C an..17	N an..17	Not used
3055	Code list responsible agency code	C an..3	N an..3	Not used
1000	Document name	C an..35	N an..35	Not used
C106	Document/message identification	C	C	
1004	Document identifier	C an..35	C an..35	
1056	Version identifier	C an..9	N an..9	Not used
1060	Revision identifier	C an..6	N an..6	Not used
1225	Message function code	C an..3	C an..3	5 Original 9 Change 40 Cancellation
4343	Response type code	C an..3	N an..3	Not used

Remark:

Example:

BGM+610+20852990+5'

No = Consecutive segment number
MaxOcc = Maximum occurrence of the segment/group
Counter = Counter of segment/group within the standard

St = Status
EDIFACT: M=Mandatory, C=Conditional
User specific: R=Required, O=Optional, D=Dependent,
A=Advised, N=Not used

EURO-LOG ZF TMS IFCSUM

Segments

Segment:

DTM

No: 5
Status: R

Level: 1
MaxOcc: 9

Counter: 0030
Date/time/period

		Standard	Implementation	
Tag	Name	St Format	St Format	Usage / Remarks
DTM				
C507	Date/time/period	M	M	
2005	Date or time or period function code qualifier	M an..3	M an..3	137 Document/message date/time
2380	Date or time or period value	C an..35	C an..35	
2379	Date or time or period format code	C an..3	C an..3	203 CCYYMMDDHHMM

Remark:

Example:

DTM+137:201411111422:203'

No = Consecutive segment number
MaxOcc = Maximum occurrence of the segment/group
Counter = Counter of segment/group within the standard

St = Status
EDIFACT: M=Mandatory, C=Conditional
User specific: R=Required, O=Optional, D=Dependent,
A=Advised, N=Not used

EURO-LOG ZF TMS IFCSUM

Segments

Segment:

FTX

No: 6
Status: C

Level: 1
MaxOcc: 98

Counter: 0050
Free text

		Standard	Implementation	
Tag	Name	St Format	St Format	Usage / Remarks
FTX				
4451	Text subject code qualifier	M an..3	M an..3	AAI General information
4453	Free text function code	C an..3	N an..3	Not used
C107	Text reference	C	N	
4441	Free text value code	M an..17	N an..17	Not used
1131	Code list identification code	C an..17	N an..17	Not used
3055	Code list responsible agency code	C an..3	N an..3	Not used
C108	Text literal	C	C	
4440	Free text value	M an..512	M an..512	
4440	Free text value	C an..512	N an..512	Not used
4440	Free text value	C an..512	N an..512	Not used
4440	Free text value	C an..512	N an..512	Not used
4440	Free text value	C an..512	N an..512	Not used
3453	Language name code	C an..3	N an..3	Not used
4447	Free text format code	C an..3	N an..3	Not used

Remark:

Example:

FTX+AAI+++X'

No = Consecutive segment number
MaxOcc = Maximum occurrence of the segment/group
Counter = Counter of segment/group within the standard

St = Status
EDIFACT: M=Mandatory, C=Conditional
User specific: R=Required, O=Optional, D=Dependent,
A=Advised, N=Not used

EURO-LOG ZF TMS IF

IFCSUM / UN D.01B S3

Issue date 7/19/2024

Print date 7/19/2024

Vertraulich/Confidential

Generated by GEFEG.FX

EURO-LOG ZF TMS IFCSUM

Segments

Segment: **FTX** No: 7 Level: 1 Counter: 0050
 Status: C MaxOcc: 1 Free text

		Standard	Implementation	
Tag	Name	St Format	St Format	Usage / Remarks
FTX				
4451	Text subject code qualifier	M an..3	M an..3	DEL Delivery note
4453	Free text function code	C an..3	N an..3	Not used
C107	Text reference	C	N	
4441	Free text value code	M an..17	N an..17	Not used
1131	Code list identification code	C an..17	N an..17	Not used
3055	Code list responsible agency code	C an..3	N an..3	Not used
C108	Text literal	C	C	
4440	Free text value	M an..512	M an..512	One or more delivery note number. In case of more than one number, the numbers are separated with a ,
4440	Free text value	C an..512	N an..512	Not used
4440	Free text value	C an..512	N an..512	Not used
4440	Free text value	C an..512	N an..512	Not used
4440	Free text value	C an..512	N an..512	Not used
3453	Language name code	C an..3	N an..3	Not used
4447	Free text format code	C an..3	N an..3	Not used

Remark:

Example:

FTX+DEL+++0123456789, 0987654321'

No = Consecutive segment number
 MaxOcc = Maximum occurrence of the segment/group
 Counter = Counter of segment/group within the standard

St = Status
 EDIFACT: M=Mandatory, C=Conditional
 User specific: R=Required, O=Optional, D=Dependent,
 A=Advised, N=Not used

EURO-LOG ZF TMS IFCSUM

Segments

Segment:

CNT

No: 8
Status: R

Level: 1
MaxOcc: 9

Counter: 0060
Control total

		Standard	Implementation	
Tag	Name	St Format	St Format	Usage / Remarks
CNT				
C270	Control	M	M	
6069	Control total type code qualifier	M an..3	M an..3	7 Total gross weight
6066	Control total value	M n..18	M n..18	
6411	Measurement unit code	C an..3	N an..3	Not used

Remark:

Example:

CNT+7:881.91'

No = Consecutive segment number
MaxOcc = Maximum occurrence of the segment/group
Counter = Counter of segment/group within the standard

St = Status
EDIFACT: M=Mandatory, C=Conditional
User specific: R=Required, O=Optional, D=Dependent,
A=Advised, N=Not used

EURO-LOG ZF TMS IFCSUM

Segments

Segment:

CNT

No: 9
Status: R

Level: 1
MaxOcc: 9

Counter: 0060
Control total

		Standard	Implementation	
Tag	Name	St Format	St Format	Usage / Remarks
CNT				
C270	Control	M	M	
6069	Control total type code qualifier	M an..3	M an..3	10 Total number of consignments
6066	Control total value	M n..18	M n..18	
6411	Measurement unit code	C an..3	N an..3	Not used

Remark:

Example:

CNT+10:1.00'

No = Consecutive segment number
MaxOcc = Maximum occurrence of the segment/group
Counter = Counter of segment/group within the standard

St = Status
EDIFACT: M=Mandatory, C=Conditional
User specific: R=Required, O=Optional, D=Dependent,
A=Advised, N=Not used

EURO-LOG ZF TMS IFCSUM

Segments

Segment:

CNT

No: 10
Status: R

Level: 1
MaxOcc: 9

Counter: 0060
Control total

		Standard	Implementation	
Tag	Name	St Format	St Format	Usage / Remarks
CNT				
C270	Control	M	M	
6069	Control total type code qualifier	M an..3	M an..3	11 Total number of packages
6066	Control total value	M n..18	M n..18	
6411	Measurement unit code	C an..3	N an..3	Not used

Remark:

Example:

CNT+11:1.00'

No = Consecutive segment number
MaxOcc = Maximum occurrence of the segment/group
Counter = Counter of segment/group within the standard

St = Status
EDIFACT: M=Mandatory, C=Conditional
User specific: R=Required, O=Optional, D=Dependent,
A=Advised, N=Not used

EURO-LOG ZF TMS IFCSUM

Segments

Group: **SG4** Status: C MaxOcc: 9 Counter: 0210
NAD
Segment: **NAD** No: 12 Level: 1 Counter: 0220
Status: M MaxOcc: 1 **Name and address**

		Standard	Implementation	
Tag	Name	St Format	St Format	Usage / Remarks
NAD				
3035	Party function code qualifier	M an..3	M an..3	CA Carrier
C082	Party identification details	C	C	
3039	Party identifier	M an..35	M an..35	
1131	Code list identification code	C an..17	N an..17	Not used
3055	Code list responsible agency code	C an..3	N an..3	Not used
C058	Name and address	C	N	
3124	Name and address description	M an..35	N an..35	Not used
3124	Name and address description	C an..35	N an..35	Not used
3124	Name and address description	C an..35	N an..35	Not used
3124	Name and address description	C an..35	N an..35	Not used
3124	Name and address description	C an..35	N an..35	Not used
C080	Party name	C	N	
3036	Party name	M an..35	N an..35	Not used
3036	Party name	C an..35	N an..35	Not used
3036	Party name	C an..35	N an..35	Not used
3036	Party name	C an..35	N an..35	Not used
3036	Party name	C an..35	N an..35	Not used
3045	Party name format code	C an..3	N an..3	Not used
C059	Street	C	N	
3042	Street and number or post office box identifier	M an..35	N an..35	Not used
3042	Street and number or post office box identifier	C an..35	N an..35	Not used
3042	Street and number or post office box identifier	C an..35	N an..35	Not used
3042	Street and number or post office box identifier	C an..35	N an..35	Not used
3164	City name	C an..35	N an..35	Not used
C819	Country sub-entity details	C	N	
3229	Country sub-entity name code	C an..9	N an..9	Not used
1131	Code list identification code	C an..17	N an..17	Not used
3055	Code list responsible agency code	C an..3	N an..3	Not used
3228	Country sub-entity name	C an..70	N an..70	Not used
3251	Postal identification code	C an..17	N an..17	Not used
3207	Country name code	C an..3	N an..3	Not used

Remark:

Example:

NAD+CA+12345 '

No = Consecutive segment number
MaxOcc = Maximum occurrence of the segment/group
Counter = Counter of segment/group within the standard

St = Status
EDIFACT: M=Mandatory, C=Conditional
User specific: R=Required, O=Optional, D=Dependent,
A=Advised, N=Not used

EURO-LOG ZF TMS IFCSUM

Segments

Group: **SG9** Status: R MaxOcc: 9 Counter: 0420
TDT-TSR-SG11
Segment: **TDT** No: 13 Level: 1 Counter: 0430
Status: M MaxOcc: 1 **Details of transport**

		Standard	Implementation	
Tag	Name	St Format	St Format	Usage / Remarks
TDT				
8051	Transport stage code qualifier	M an..3	M an..3	20 Main-carriage transport
8028	Means of transport journey identifier	C an..17	N an..17	Not used
C220	Mode of transport	C	C	
8067	Transport mode name code	C an..3	C an..3	10 Maritime transport 20 Rail transport 30 Road transport 40 Air transport 50 Mail 60 Multimodal transport
8066	Transport mode name	C an..17	C an..17	FCL LCL FTL LTL GRP Courier Multimodal Air Rail Road Sea
C228	Transport means	C	N	
8179	Transport means description code	C an..8	N an..8	Not used
8178	Transport means description	C an..17	N an..17	Not used
C040	Carrier	C	N	
3127	Carrier identifier	C an..17	N an..17	Not used
1131	Code list identification code	C an..17	N an..17	Not used
3055	Code list responsible agency code	C an..3	N an..3	Not used
3128	Carrier name	C an..35	N an..35	Not used
8101	Transit direction indicator code	C an..3	N an..3	Not used
C401	Excess transportation information	C	N	
8457	Excess transportation reason code	M an..3	N an..3	Not used
8459	Excess transportation responsibility code	M an..3	N an..3	Not used
7130	Customer shipment authorisation identifier	C an..17	N an..17	Not used
C222	Transport identification	C	C	
8213	Transport means identification name identifier	C an..9	N an..9	Not used
1131	Code list identification code	C an..17	N an..17	Not used

No = Consecutive segment number
 MaxOcc = Maximum occurrence of the segment/group
 Counter = Counter of segment/group within the standard

St = Status
 EDIFACT: M=Mandatory, C=Conditional
 User specific: R=Required, O=Optional, D=Dependent,
 A=Advised, N=Not used

EURO-LOG ZF TMS IFCSUM

Segments

Tag	Name	Standard		Implementation		
		St	Format	St	Format	Usage / Remarks
3055	Code list responsible agency code	C	an..3	N	an..3	Not used
8212	Transport means identification name	C	an..35	C	an..35	Truck licence plate number (load)
8453	Transport means nationality code	C	an..3	N	an..3	Not used
8281	Transport means ownership indicator code	C	an..3	N	an..3	Not used

Remark:

Example:

TDT+20++30:FTL++++:::W 101349'

No = Consecutive segment number
MaxOcc = Maximum occurrence of the segment/group
Counter = Counter of segment/group within the standard

St = Status
EDIFACT: M=Mandatory, C=Conditional
User specific: R=Required, O=Optional, D=Dependent,
A=Advised, N=Not used

EURO-LOG ZF TMS IFCSUM

Segments

Group: **SG9** Status: R MaxOcc: 9 Counter: 0420
TDT-TSR-SG11

Segment: **TSR** No: 14 Level: 2 Counter: 0450
Status: C MaxOcc: 9 **Transport service requirements**

		Standard	Implementation	
Tag	Name	St Format	St Format	Usage / Remarks
TSR				
C536	Contract and carriage condition	C	C	
4065	Contract and carriage condition code	M an..3	M an..3	3 Special agreement for full loading transport 6 Freight forwarders national conditions
1131	Code list identification code	C an..17	N an..17	Not used
3055	Code list responsible agency code	C an..3	N an..3	Not used
C233	Service	C	N	
7273	Service requirement code	M an..3	N an..3	Not used
1131	Code list identification code	C an..17	N an..17	Not used
3055	Code list responsible agency code	C an..3	N an..3	Not used
7273	Service requirement code	C an..3	N an..3	Not used
1131	Code list identification code	C an..17	N an..17	Not used
3055	Code list responsible agency code	C an..3	N an..3	Not used
C537	Transport priority	C	C	
4219	Transport service priority code	M an..3	M an..3	SNT National SY International
1131	Code list identification code	C an..17	N an..17	Not used
3055	Code list responsible agency code	C an..3	N an..3	Not used
C703	Nature of cargo	C	C	
7085	Cargo type classification code	M an..3	M an..3	11 Hazardous cargo 12 General cargo
1131	Code list identification code	C an..17	N an..17	Not used
3055	Code list responsible agency code	C an..3	N an..3	Not used

Remark:

Example:

TSR+6++SNT+12'

No = Consecutive segment number
MaxOcc = Maximum occurrence of the segment/group
Counter = Counter of segment/group within the standard

St = Status
EDIFACT: M=Mandatory, C=Conditional
User specific: R=Required, O=Optional, D=Dependent,
A=Advised, N=Not used

EURO-LOG ZF TMS IFCSUM

Segments

Group:	SG9	Status: R	MaxOcc: 9	Counter: 0420 TDT-TSR-SG11
Group:	SG11	Status: C	MaxOcc: 9	Counter: 0510 MEA
Segment:	MEA	No: 15 Status: M	Level: 2 MaxOcc: 1	Counter: 0520 Measurements

		Standard	Implementation	
Tag	Name	St Format	St Format	Usage / Remarks
MEA				
6311	Measurement purpose code qualifier	M an..3	M an..3	LMT Loading meters
C502	Measurement details	C	N	
6313	Measured attribute code	C an..3	N an..3	Not used
6321	Measurement significance code	C an..3	N an..3	Not used
6155	Non-discrete measurement name code	C an..17	N an..17	Not used
6154	Non-discrete measurement name	C an..70	N an..70	Not used
C174	Value/range	C	C	
6411	Measurement unit code	M an..3	M an..3	MTR metre
6314	Measurement value	C an..18	C an..18	Total loading meters on load-level
6162	Range minimum value	C n..18	N n..18	Not used
6152	Range maximum value	C n..18	N n..18	Not used
6432	Significant digits quantity	C n..2	N n..2	Not used
7383	Surface or layer code	C an..3	N an..3	Not used

Remark:

Example:

MEA+LMT++MTR:5.40'

No = Consecutive segment number
 MaxOcc = Maximum occurrence of the segment/group
 Counter = Counter of segment/group within the standard

St = Status
 EDIFACT: M=Mandatory, C=Conditional
 User specific: R=Required, O=Optional, D=Dependent,
 A=Advised, N=Not used

EURO-LOG ZF TMS IFCSUM

Segments

Group: **SG25** Status: R MaxOcc: 9999 Counter: 1120
CNI-DTM-FTX-SG31-SG32-SG43-SG50
Segment: **DTM** No: 17 Level: 2 Counter: 1260
 Status: R MaxOcc: 9 **Date/time/period**

		Standard	Implementation	
Tag	Name	St Format	St Format	Usage / Remarks
DTM				
C507	Date/time/period	M	M	
2005	Date or time or period function code qualifier	M an..3	M an..3	200 Pick-up/collection date/time of cargo
2380	Date or time or period value	C an..35	C an..35	Consignment pickup date/time
2379	Date or time or period format code	C an..3	C an..3	203 CCYMMDDHHMM 719 CCYMMDDHHMM-CCYMMDDHHMM

Remark:

Example:

DTM+200:201401220800-201401221800:719'

No = Consecutive segment number
 MaxOcc = Maximum occurrence of the segment/group
 Counter = Counter of segment/group within the standard

St = Status
 EDIFACT: M=Mandatory, C=Conditional
 User specific: R=Required, O=Optional, D=Dependent,
 A=Advised, N=Not used

EURO-LOG ZF TMS IFCSUM

Segments

Group: **SG25** Status: R MaxOcc: 9999 Counter: 1120
CNI-DTM-FTX-SG31-SG32-SG43-SG50
Segment: **DTM** No: 18 Level: 2 Counter: 1260
 Status: R MaxOcc: 9 **Date/time/period**

		Standard	Implementation	
Tag	Name	St Format	St Format	Usage / Remarks
DTM				
C507	Date/time/period	M	M	
2005	Date or time or period function code qualifier	M an..3	M an..3	2 Delivery date/time, requested
2380	Date or time or period value	C an..35	C an..35	Consignment delivery date/time
2379	Date or time or period format code	C an..3	C an..3	203 CCYYMMDDHHMM 719 CCYYMMDDHHMM-CCYYMMDDHHMM

Remark:

Example:

DTM+2:201401220800-201401221800:719'

No = Consecutive segment number
 MaxOcc = Maximum occurrence of the segment/group
 Counter = Counter of segment/group within the standard

St = Status
 EDIFACT: M=Mandatory, C=Conditional
 User specific: R=Required, O=Optional, D=Dependent,
 A=Advised, N=Not used

EURO-LOG ZF TMS IFCSUM

Segments

Group: **SG25** Status: R MaxOcc: 9999 Counter: 1120
CNI-DTM-FTX-SG31-SG32-SG43-SG50
Segment: **FTX** No: 19 Level: 2 Counter: 1320
 Status: C MaxOcc: 99 **Free text**

		Standard	Implementation	
Tag	Name	St Format	St Format	Usage / Remarks
FTX				
4451	Text subject code qualifier	M an..3	M an..3	TRA Transportation information
4453	Free text function code	C an..3	N an..3	Not used
C107	Text reference	C	N	
4441	Free text value code	M an..17	N an..17	Not used
1131	Code list identification code	C an..17	N an..17	Not used
3055	Code list responsible agency code	C an..3	N an..3	Not used
C108	Text literal	C	C	
4440	Free text value	M an..512	M an..512	Load remark
4440	Free text value	C an..512	N an..512	Not used
4440	Free text value	C an..512	N an..512	Not used
4440	Free text value	C an..512	N an..512	Not used
4440	Free text value	C an..512	N an..512	Not used
3453	Language name code	C an..3	N an..3	Not used
4447	Free text format code	C an..3	N an..3	Not used

Remark:

Example:

FTX+TRA+++Load remark'

No = Consecutive segment number
 MaxOcc = Maximum occurrence of the segment/group
 Counter = Counter of segment/group within the standard

St = Status
 EDIFACT: M=Mandatory, C=Conditional
 User specific: R=Required, O=Optional, D=Dependent,
 A=Advised, N=Not used

EURO-LOG ZF TMS IFCSUM

Segments

Group:	SG25	Status: R	MaxOcc: 9999	Counter: 1120 CNI-DTM-FTX-SG31-SG32-SG43-SG50
Group:	SG31	Status: R	MaxOcc: 2	Counter: 1370 TOD-LOC
Segment:	TOD	No: 20 Status: M	Level: 2 MaxOcc: 1	Counter: 1380 Terms of delivery or transport

		Standard	Implementation	
Tag	Name	St Format	St Format	Usage / Remarks
TOD				
4055	Delivery or transport terms function code	C an..3	C an..3	6 Delivery condition
4215	Transport charges payment method code	C an..3	N an..3	Not used
C100	Terms of delivery or transport	C	C	
4053	Delivery or transport terms description code	C an..3	C an..3	CFR Cost & Freight CIF Cost, Insurance, Freight to named destination CIP Freight, Carriage, Insurance to destination CPT Freight, Carriage paid to destination DAF Delivery at frontier - Named place DDP Delivered duty paid to destination DDU Delivered duty unpaid to destination DEQ Delivered Ex Quay - Duty paid, Named port DES Delivered Ex ship - Named port of destination EXW Ex works FAS Free alongside ship FCA Free carrier - Named point FOB Free on Board - Named port of shipment Incoterm
1131	Code list identification code	C an..17	N an..17	Not used
3055	Code list responsible agency code	C an..3	N an..3	Not used
4052	Delivery or transport terms description	C an..70	N an..70	Not used
4052	Delivery or transport terms description	C an..70	N an..70	Not used

Remark:

Example:

TOD+6++CFR'

No = Consecutive segment number
 MaxOcc = Maximum occurrence of the segment/group
 Counter = Counter of segment/group within the standard

St = Status
 EDIFACT: M=Mandatory, C=Conditional
 User specific: R=Required, O=Optional, D=Dependent,
 A=Advised, N=Not used

EURO-LOG ZF TMS IFCSUM

Segments

Group:	SG25	Status: R	MaxOcc: 9999	Counter: 1120 CNI-DTM-FTX-SG31-SG32-SG43-SG50
Group:	SG31	Status: R	MaxOcc: 2	Counter: 1370 TOD-LOC
Segment:	LOC	No: 21 Status: C	Level: 3 MaxOcc: 9	Counter: 1390 Place/location identification

		Standard	Implementation	
Tag	Name	St Format	St Format	Usage / Remarks
LOC				
3227	Location function code qualifier	M an..3	M an..3	1 Place of terms of delivery
C517	Location identification	C	C	
3225	Location name code	C an..25	N an..25	Not used
1131	Code list identification code	C an..17	N an..17	Not used
3055	Code list responsible agency code	C an..3	N an..3	Not used
3224	Location name	C an..256	C an..256	Incoterm location
C519	Related location one identification	C	N	
3223	First related location name code	C an..25	N an..25	Not used
1131	Code list identification code	C an..17	N an..17	Not used
3055	Code list responsible agency code	C an..3	N an..3	Not used
3222	First related location name	C an..70	N an..70	Not used
C553	Related location two identification	C	N	
3233	Second related location name code	C an..25	N an..25	Not used
1131	Code list identification code	C an..17	N an..17	Not used
3055	Code list responsible agency code	C an..3	N an..3	Not used
3232	Second related location name	C an..70	N an..70	Not used
5479	Relation code	C an..3	N an..3	Not used

Remark:

Example:

LOC+1+:::Paris'

No = Consecutive segment number
 MaxOcc = Maximum occurrence of the segment/group
 Counter = Counter of segment/group within the standard

St = Status
 EDIFACT: M=Mandatory, C=Conditional
 User specific: R=Required, O=Optional, D=Dependent,
 A=Advised, N=Not used

EURO-LOG ZF TMS IFCSUM

Segments

Group:	SG25	Status: R	MaxOcc: 9999	Counter: 1120 CNI-DTM-FTX-SG31-SG32-SG43-SG50
Group:	SG32	Status: C	MaxOcc: 999	Counter: 1400 RFF
Segment:	RFF	No: 22 Status: M	Level: 2 MaxOcc: 1	Counter: 1410 Reference

		Standard	Implementation	
Tag	Name	St Format	St Format	Usage / Remarks
RFF				
C506	Reference	M	M	
1153	Reference code qualifier	M an..3	M an..3	CUA FPA ID CR7 FPA ID
1154	Reference identifier	C an..70	C an..70	Forwarder preadvice ID
1156	Document line identifier	C an..6	N an..6	Not used
4000	Reference version identifier	C an..35	N an..35	Not used
1060	Revision identifier	C an..6	N an..6	Not used

Remark:

Example:

RFF+CUA:12345678'

No = Consecutive segment number
 MaxOcc = Maximum occurrence of the segment/group
 Counter = Counter of segment/group within the standard

St = Status
 EDIFACT: M=Mandatory, C=Conditional
 User specific: R=Required, O=Optional, D=Dependent,
 A=Advised, N=Not used

EURO-LOG ZF TMS IFCSUM

Segments

Group:	SG25	Status: R	MaxOcc: 9999	Counter: 1120 CNI-DTM-FTX-SG31-SG32-SG43-SG50
Group:	SG32	Status: C	MaxOcc: 999	Counter: 1400 RFF
Segment:	RFF	No: 23 Status: M	Level: 2 MaxOcc: 1	Counter: 1410 Reference

		Standard	Implementation	
Tag	Name	St Format	St Format	Usage / Remarks
RFF				
C506	Reference	M	M	
1153	Reference code qualifier	M an..3	M an..3	CR1 FPA number
1154	Reference identifier	C an..70	C an..70	Forwarder preadvice Number
1156	Document line identifier	C an..6	N an..6	Not used
4000	Reference version identifier	C an..35	N an..35	Not used
1060	Revision identifier	C an..6	N an..6	Not used

Remark:

Example:

RFF+CR1:345678901'

No = Consecutive segment number
 MaxOcc = Maximum occurrence of the segment/group
 Counter = Counter of segment/group within the standard

St = Status
 EDIFACT: M=Mandatory, C=Conditional
 User specific: R=Required, O=Optional, D=Dependent,
 A=Advised, N=Not used

EURO-LOG ZF TMS IFCSUM

Segments

Group:	SG25	Status: R	MaxOcc: 9999	Counter: 1120 CNI-DTM-FTX-SG31-SG32-SG43-SG50
Group:	SG43	Status: C	MaxOcc: 99	Counter: 1900 NAD-LOC-SG44
Segment:	NAD	No: 24 Status: M	Level: 2 MaxOcc: 1	Counter: 1910 Name and address

		Standard	Implementation	
Tag	Name	St Format	St Format	Usage / Remarks
NAD				
3035	Party function code qualifier	M an..3	M an..3	AL Principal BY Buyer CN Consignee CZ Consignor DP Delivery party FP Freight/charges payer PW Despatch party SU Supplier
C082	Party identification details	C	C	
3039	Party identifier	M an..35	M an..35	Address matchcode
1131	Code list identification code	C an..17	N an..17	Not used
3055	Code list responsible agency code	C an..3	N an..3	Not used
C058	Name and address	C	N	
3124	Name and address description	M an..35	N an..35	Not used
3124	Name and address description	C an..35	N an..35	Not used
3124	Name and address description	C an..35	N an..35	Not used
3124	Name and address description	C an..35	N an..35	Not used
3124	Name and address description	C an..35	N an..35	Not used
C080	Party name	C	C	
3036	Party name	M an..35	M an..35	Address company name 1
3036	Party name	C an..35	C an..35	Address company name 2
3036	Party name	C an..35	N an..35	Not used
3036	Party name	C an..35	N an..35	Not used
3036	Party name	C an..35	N an..35	Not used
3045	Party name format code	C an..3	N an..3	Not used
C059	Street	C	C	
3042	Street and number or post office box identifier	M an..35	M an..35	Address street
3042	Street and number or post office box identifier	C an..35	N an..35	Not used
3042	Street and number or post office box identifier	C an..35	N an..35	Not used
3042	Street and number or post office box identifier	C an..35	N an..35	Not used
3164	City name	C an..35	C an..35	Address city
C819	Country sub-entity details	C	N	
3229	Country sub-entity name code	C an..9	N an..9	Not used
1131	Code list identification code	C an..17	N an..17	Not used

No = Consecutive segment number
 MaxOcc = Maximum occurrence of the segment/group
 Counter = Counter of segment/group within the standard

St = Status
 EDIFACT: M=Mandatory, C=Conditional
 User specific: R=Required, O=Optional, D=Dependent,
 A=Advised, N=Not used

EURO-LOG ZF TMS IFCSUM

Segments

Tag	Name	Standard		Implementation	
		St Format	St Format	Usage / Remarks	
3055	Code list responsible agency code	C an..3	N an..3	Not used	
3228	Country sub-entity name	C an..70	N an..70	Not used	
3251	Postal identification code	C an..17	C an..17		Address ZIP code
3207	Country name code	C an..3	C an..3		Address country

Remark:

Example:

NAD+CZ+XX123++CompanyName1:Name2+StreetXY+CityXY++1234567+ZZ'

No = Consecutive segment number
MaxOcc = Maximum occurrence of the segment/group
Counter = Counter of segment/group within the standard

St = Status
EDIFACT: M=Mandatory, C=Conditional
User specific: R=Required, O=Optional, D=Dependent,
A=Advised, N=Not used

EURO-LOG ZF TMS IFCSUM

Segments

Group:	SG25	Status: R	MaxOcc: 9999	Counter: 1120 CNI-DTM-FTX-SG31-SG32-SG43-SG50
Group:	SG43	Status: C	MaxOcc: 99	Counter: 1900 NAD-LOC-SG44
Segment:	LOC	No: 25 Status: C	Level: 3 MaxOcc: 9	Counter: 1920 Place/location identification

		Standard	Implementation	
Tag	Name	St Format	St Format	Usage / Remarks
LOC				
3227	Location function code qualifier	M an..3	M an..3	7 Place of delivery
C517	Location identification	C	C	
3225	Location name code	C an..25	N an..25	Not used
1131	Code list identification code	C an..17	N an..17	Not used
3055	Code list responsible agency code	C an..3	N an..3	Not used
3224	Location name	C an..256	C an..256	
C519	Related location one identification	C	N	
3223	First related location name code	C an..25	N an..25	Not used
1131	Code list identification code	C an..17	N an..17	Not used
3055	Code list responsible agency code	C an..3	N an..3	Not used
3222	First related location name	C an..70	N an..70	Not used
C553	Related location two identification	C	N	
3233	Second related location name code	C an..25	N an..25	Not used
1131	Code list identification code	C an..17	N an..17	Not used
3055	Code list responsible agency code	C an..3	N an..3	Not used
3232	Second related location name	C an..70	N an..70	Not used
5479	Relation code	C an..3	N an..3	Not used

Remark:

Example:

LOC+7+:::XXXXXX'

No = Consecutive segment number
 MaxOcc = Maximum occurrence of the segment/group
 Counter = Counter of segment/group within the standard

St = Status
 EDIFACT: M=Mandatory, C=Conditional
 User specific: R=Required, O=Optional, D=Dependent,
 A=Advised, N=Not used

EURO-LOG ZF TMS IFCSUM

Segments

Group:	SG25	Status: R	MaxOcc: 9999	Counter: 1120 CNI-DTM-FTX-SG31-SG32-SG43-SG50
Group:	SG43	Status: C	MaxOcc: 99	Counter: 1900 NAD-LOC-SG44
Group:	SG44	Status: C	MaxOcc: 9	Counter: 1940 CTA-COM
Segment:	CTA	No: 26 Status: M	Level: 3 MaxOcc: 1	Counter: 1950 Contact information

		Standard	Implementation	
Tag	Name	St Format	St Format	Usage / Remarks
CTA				
3139	Contact function code	C an..3	C an..3	CA Carrier CN Consignee CO Consignor OC Order contact SU Supplier contact Address qualifier, where contact information is defined for
C056	Department or employee details	C	C	
3413	Department or employee name code	C an..17	N an..17	Not used
3412	Department or employee name	C an..35	C an..35	Contact name

Remark:

Example:

CTA+CO+:Mr. Mustermann'

No = Consecutive segment number
 MaxOcc = Maximum occurrence of the segment/group
 Counter = Counter of segment/group within the standard

St = Status
 EDIFACT: M=Mandatory, C=Conditional
 User specific: R=Required, O=Optional, D=Dependent,
 A=Advised, N=Not used

EURO-LOG ZF TMS IFCSUM

Segments

Group:	SG25	Status: R	MaxOcc: 9999	Counter: 1120 CNI-DTM-FTX-SG31-SG32-SG43-SG50
Group:	SG43	Status: C	MaxOcc: 99	Counter: 1900 NAD-LOC-SG44
Group:	SG44	Status: C	MaxOcc: 9	Counter: 1940 CTA-COM
Segment:	COM	No: 27 Status: R	Level: 4 MaxOcc: 9	Counter: 1960 Communication contact

		Standard	Implementation	
Tag	Name	St Format	St Format	Usage / Remarks
COM				
C076	Communication contact	M	M	
3148	Communication address identifier	M an..512	M an..512	Contact email address
3155	Communication address code qualifier	M an..3	M an..3	EM Electronic mail

Remark:

Example:

COM+dontsend@eurolog.com:EM'

No = Consecutive segment number
 MaxOcc = Maximum occurrence of the segment/group
 Counter = Counter of segment/group within the standard

St = Status
 EDIFACT: M=Mandatory, C=Conditional
 User specific: R=Required, O=Optional, D=Dependent,
 A=Advised, N=Not used

EURO-LOG ZF TMS IFCSUM

Segments

Group:	SG25	Status: R	MaxOcc: 9999	Counter: 1120 CNI-DTM-FTX-SG31-SG32-SG43-SG50
Group:	SG43	Status: C	MaxOcc: 99	Counter: 1900 NAD-LOC-SG44
Group:	SG44	Status: C	MaxOcc: 9	Counter: 1940 CTA-COM
Segment:	COM	No: 28 Status: R	Level: 4 MaxOcc: 9	Counter: 1960 Communication contact

		Standard	Implementation	
Tag	Name	St Format	St Format	Usage / Remarks
COM				
C076	Communication contact	M	M	
3148	Communication address identifier	M an..512	M an..512	Contact fax number
3155	Communication address code qualifier	M an..3	M an..3	FX Telefax

Remark:

Example:

COM+0049 (0) 811 9595-0:FX'

No = Consecutive segment number
 MaxOcc = Maximum occurrence of the segment/group
 Counter = Counter of segment/group within the standard

St = Status
 EDIFACT: M=Mandatory, C=Conditional
 User specific: R=Required, O=Optional, D=Dependent,
 A=Advised, N=Not used

EURO-LOG ZF TMS IFCSUM

Segments

Group:	SG25	Status: R	MaxOcc: 9999	Counter: 1120 CNI-DTM-FTX-SG31-SG32-SG43-SG50
Group:	SG43	Status: C	MaxOcc: 99	Counter: 1900 NAD-LOC-SG44
Group:	SG44	Status: C	MaxOcc: 9	Counter: 1940 CTA-COM
Segment:	COM	No: 29 Status: R	Level: 4 MaxOcc: 9	Counter: 1960 Communication contact

		Standard	Implementation	
Tag	Name	St Format	St Format	Usage / Remarks
COM				
C076	Communication contact	M	M	
3148	Communication address identifier	M an..512	M an..512	Contact phone number
3155	Communication address code qualifier	M an..3	M an..3	TE Telephone

Remark:

Example:

COM+0049 (0) 811 9595-0:TE'

No = Consecutive segment number
 MaxOcc = Maximum occurrence of the segment/group
 Counter = Counter of segment/group within the standard

St = Status
 EDIFACT: M=Mandatory, C=Conditional
 User specific: R=Required, O=Optional, D=Dependent,
 A=Advised, N=Not used

EURO-LOG ZF TMS IFCSUM

Segments

Group:	SG25	Status: R	MaxOcc: 9999	Counter: 1120 CNI-DTM-FTX-SG31-SG32-SG43-SG50
Group:	SG43	Status: C	MaxOcc: 99	Counter: 1900 NAD-LOC-SG44
Group:	SG44	Status: C	MaxOcc: 9	Counter: 1940 CTA-COM
Segment:	COM	No: 30 Status: R	Level: 4 MaxOcc: 9	Counter: 1960 Communication contact

		Standard	Implementation	
Tag	Name	St Format	St Format	Usage / Remarks
COM				
C076	Communication contact	M	M	
3148	Communication address identifier	M an..512	M an..512	Contact mobile phone number
3155	Communication address code qualifier	M an..3	M an..3	AL Cellular phone

Remark:

Example:

COM+0049 (0) 811 9595-0:AL'

No = Consecutive segment number
 MaxOcc = Maximum occurrence of the segment/group
 Counter = Counter of segment/group within the standard

St = Status
 EDIFACT: M=Mandatory, C=Conditional
 User specific: R=Required, O=Optional, D=Dependent,
 A=Advised, N=Not used

EURO-LOG ZF TMS IFCSUM

Segments

Group:	SG25	Status: R	MaxOcc: 9999	Counter: 1120 CNI-DTM-FTX-SG31-SG32-SG43-SG50
Group:	SG50	Status: R	MaxOcc: 999	Counter: 2230 GID-FTX-SG52-SG53-SG55-SG65
Segment:	GID	No: 31 Status: M	Level: 2 MaxOcc: 1	Counter: 2240 Goods item details

		Standard	Implementation	
Tag	Name	St Format	St Format	Usage / Remarks
GID				
1496	Goods item number	C n..5	C n..5	
C213	Number and type of packages	C	C	
7224	Package quantity	C n..8	C n..8	Handling unit quantity
7065	Package type description code	C an..17	C an..17	Handling unit package code
				BA Barrel
				BG Bag
				BX Box
				CG Cage
				CLL Colli
				CN Container, not otherwise specified as transport equipment
				CR Crate
				CS Case
				CT Carton
				DR Drum
				EN Envelope
				EP Euro-Pallet
				GP Lattice box
				PC Parcel
				PE Pallet, modular, collars 80cms * 120cms
				PK Package
				RL Reel
				SW Shrinkwrapped
				TU Tube
1131	Code list identification code	C an..17	N an..17	Not used
3055	Code list responsible agency code	C an..3	N an..3	Not used
7064	Type of packages	C an..35	N an..35	Not used
7233	Packaging related description code	C an..3	N an..3	Not used
C213	Number and type of packages	C	N	
7224	Package quantity	C n..8	N n..8	Not used
7065	Package type description code	C an..17	N an..17	Not used
1131	Code list identification code	C an..17	N an..17	Not used
3055	Code list responsible agency code	C an..3	N an..3	Not used
7064	Type of packages	C an..35	N an..35	Not used
7233	Packaging related description code	C an..3	N an..3	Not used
C213	Number and type of packages	C	N	

No = Consecutive segment number
 MaxOcc = Maximum occurrence of the segment/group
 Counter = Counter of segment/group within the standard

St = Status
 EDIFACT: M=Mandatory, C=Conditional
 User specific: R=Required, O=Optional, D=Dependent,
 A=Advised, N=Not used

EURO-LOG ZF TMS IFCSUM

Segments

		Standard	Implementation	
Tag	Name	St Format	St Format	Usage / Remarks
7224	Package quantity	C n..8	N n..8	Not used
7065	Package type description code	C an..17	N an..17	Not used
1131	Code list identification code	C an..17	N an..17	Not used
3055	Code list responsible agency code	C an..3	N an..3	Not used
7064	Type of packages	C an..35	N an..35	Not used
7233	Packaging related description code	C an..3	N an..3	Not used
C213	Number and type of packages	C	N	
7224	Package quantity	C n..8	N n..8	Not used
7065	Package type description code	C an..17	N an..17	Not used
1131	Code list identification code	C an..17	N an..17	Not used
3055	Code list responsible agency code	C an..3	N an..3	Not used
7064	Type of packages	C an..35	N an..35	Not used
7233	Packaging related description code	C an..3	N an..3	Not used
C213	Number and type of packages	C	N	
7224	Package quantity	C n..8	N n..8	Not used
7065	Package type description code	C an..17	N an..17	Not used
1131	Code list identification code	C an..17	N an..17	Not used
3055	Code list responsible agency code	C an..3	N an..3	Not used
7064	Type of packages	C an..35	N an..35	Not used
7233	Packaging related description code	C an..3	N an..3	Not used

Remark:

Example:

GID+1+7:PE'

No = Consecutive segment number
 MaxOcc = Maximum occurrence of the segment/group
 Counter = Counter of segment/group within the standard

St = Status
 EDIFACT: M=Mandatory, C=Conditional
 User specific: R=Required, O=Optional, D=Dependent,
 A=Advised, N=Not used

EURO-LOG ZF TMS IFCSUM

Segments

Group:	SG25	Status: R	MaxOcc: 9999	Counter: 1120 CNI-DTM-FTX-SG31-SG32-SG43-SG50
Group:	SG50	Status: R	MaxOcc: 999	Counter: 2230 GID-FTX-SG52-SG53-SG55-SG65
Segment:	FTX	No: 32 Status: R	Level: 3 MaxOcc: 9	Counter: 2330 Free text

		Standard	Implementation	
Tag	Name	St Format	St Format	Usage / Remarks
FTX				
4451	Text subject code qualifier	M an..3	M an..3	AAA Goods description
4453	Free text function code	C an..3	N an..3	Not used
C107	Text reference	C	N	
4441	Free text value code	M an..17	N an..17	Not used
1131	Code list identification code	C an..17	N an..17	Not used
3055	Code list responsible agency code	C an..3	N an..3	Not used
C108	Text literal	C	C	
4440	Free text value	M an..512	M an..512	Handling unit goods description
4440	Free text value	C an..512	C an..512	HU-Labelnumber
4440	Free text value	C an..512	C an..512	HU-Labelnumber 2
4440	Free text value	C an..512	N an..512	Not used
4440	Free text value	C an..512	N an..512	Not used
3453	Language name code	C an..3	N an..3	Not used
4447	Free text format code	C an..3	N an..3	Not used

Remark:

Example:

FTX+AAA+++MIXED PRODUCTS:X:X'

No = Consecutive segment number
 MaxOcc = Maximum occurrence of the segment/group
 Counter = Counter of segment/group within the standard

St = Status
 EDIFACT: M=Mandatory, C=Conditional
 User specific: R=Required, O=Optional, D=Dependent,
 A=Advised, N=Not used

EURO-LOG ZF TMS IFCSUM

Segments

Group:	SG25	Status: R	MaxOcc: 9999	Counter: 1120 CNI-DTM-FTX-SG31-SG32-SG43-SG50
Group:	SG50	Status: R	MaxOcc: 999	Counter: 2230 GID-FTX-SG52-SG53-SG55-SG65
Group:	SG52	Status: R	MaxOcc: 99	Counter: 2380 MEA
Segment:	MEA	No: 33 Status: M	Level: 3 MaxOcc: 1	Counter: 2390 Measurements

		Standard	Implementation	
Tag	Name	St Format	St Format	Usage / Remarks
MEA				
6311	Measurement purpose code qualifier	M an..3	M an..3	WT Weights
C502	Measurement details	C	N	
6313	Measured attribute code	C an..3	N an..3	Not used
6321	Measurement significance code	C an..3	N an..3	Not used
6155	Non-discrete measurement name code	C an..17	N an..17	Not used
6154	Non-discrete measurement name	C an..70	N an..70	Not used
C174	Value/range	C	C	
6411	Measurement unit code	M an..3	M an..3	KGM kilogram
6314	Measurement value	C an..18	C an..18	Handling unit gross weight
6162	Range minimum value	C n..18	N n..18	Not used
6152	Range maximum value	C n..18	N n..18	Not used
6432	Significant digits quantity	C n..2	N n..2	Not used
7383	Surface or layer code	C an..3	N an..3	Not used

Remark:

Example:

MEA+WT++KGM:881.91'

No = Consecutive segment number
 MaxOcc = Maximum occurrence of the segment/group
 Counter = Counter of segment/group within the standard

St = Status
 EDIFACT: M=Mandatory, C=Conditional
 User specific: R=Required, O=Optional, D=Dependent,
 A=Advised, N=Not used

EURO-LOG ZF TMS IFCSUM

Segments

Group:	SG25	Status: R	MaxOcc: 9999	Counter: 1120 CNI-DTM-FTX-SG31-SG32-SG43-SG50
Group:	SG50	Status: R	MaxOcc: 999	Counter: 2230 GID-FTX-SG52-SG53-SG55-SG65
Group:	SG52	Status: R	MaxOcc: 99	Counter: 2380 MEA
Segment:	MEA	No: 34 Status: M	Level: 3 MaxOcc: 1	Counter: 2390 Measurements

		Standard	Implementation	
Tag	Name	St Format	St Format	Usage / Remarks
MEA				
6311	Measurement purpose code qualifier	M an..3	M an..3	VOL Volume
C502	Measurement details	C	N	
6313	Measured attribute code	C an..3	N an..3	Not used
6321	Measurement significance code	C an..3	N an..3	Not used
6155	Non-discrete measurement name code	C an..17	N an..17	Not used
6154	Non-discrete measurement name	C an..70	N an..70	Not used
C174	Value/range	C	C	
6411	Measurement unit code	M an..3	M an..3	ST sheet MTQ cubic metre Handling unit volume qualifier Handling unit volume value
6314	Measurement value	C an..18	C an..18	
6162	Range minimum value	C n..18	N n..18	Not used
6152	Range maximum value	C n..18	N n..18	Not used
6432	Significant digits quantity	C n..2	N n..2	Not used
7383	Surface or layer code	C an..3	N an..3	Not used

Remark:

Example:

MEA+VOL++MTQ:3.78'

No = Consecutive segment number
MaxOcc = Maximum occurrence of the segment/group
Counter = Counter of segment/group within the standard

St = Status
EDIFACT: M=Mandatory, C=Conditional
User specific: R=Required, O=Optional, D=Dependent,
A=Advised, N=Not used

EURO-LOG ZF TMS IFCSUM

Segments

Group:	SG25	Status: R	MaxOcc: 9999	Counter: 1120 CNI-DTM-FTX-SG31-SG32-SG43-SG50
Group:	SG50	Status: R	MaxOcc: 999	Counter: 2230 GID-FTX-SG52-SG53-SG55-SG65
Group:	SG52	Status: R	MaxOcc: 99	Counter: 2380 MEA
Segment:	MEA	No: 35 Status: M	Level: 3 MaxOcc: 1	Counter: 2390 Measurements

		Standard	Implementation	
Tag	Name	St Format	St Format	Usage / Remarks
MEA				
6311	Measurement purpose code qualifier	M an..3	M an..3	LMT Loading meters
C502	Measurement details	C	N	
6313	Measured attribute code	C an..3	N an..3	Not used
6321	Measurement significance code	C an..3	N an..3	Not used
6155	Non-discrete measurement name code	C an..17	N an..17	Not used
6154	Non-discrete measurement name	C an..70	N an..70	Not used
C174	Value/range	C	C	
6411	Measurement unit code	M an..3	M an..3	MTR metre
6314	Measurement value	C an..18	C an..18	loading meters on load-level
6162	Range minimum value	C n..18	N n..18	Not used
6152	Range maximum value	C n..18	N n..18	Not used
6432	Significant digits quantity	C n..2	N n..2	Not used
7383	Surface or layer code	C an..3	N an..3	Not used

Remark:

Example:

MEA+LMT++MTQ:3.78'

No = Consecutive segment number
 MaxOcc = Maximum occurrence of the segment/group
 Counter = Counter of segment/group within the standard

St = Status
 EDIFACT: M=Mandatory, C=Conditional
 User specific: R=Required, O=Optional, D=Dependent,
 A=Advised, N=Not used

EURO-LOG ZF TMS IFCSUM

Segments

Group:	SG25	Status: R	MaxOcc: 9999	Counter: 1120 CNI-DTM-FTX-SG31-SG32-SG43-SG50
Group:	SG50	Status: R	MaxOcc: 999	Counter: 2230 GID-FTX-SG52-SG53-SG55-SG65
Group:	SG53	Status: C	MaxOcc: 99	Counter: 2410 DIM
Segment:	DIM	No: 36 Status: M	Level: 3 MaxOcc: 1	Counter: 2420 Dimensions

		Standard	Implementation	
Tag	Name	St Format	St Format	Usage / Remarks
DIM				
6145	Dimension type code qualifier	M an..3	M an..3	1 Gross dimensions
C211	Dimensions	M	M	
6411	Measurement unit code	M an..3	M an..3	MTR metre
6168	Length dimension value	C n..15	C n..15	Handling unit dimension: length
6140	Width dimension value	C n..15	C n..15	Handling unit dimension: width
6008	Height dimension value	C n..15	C n..15	Handling unit dimension: height

Remark:

Example:

DIM+1+MTR:0.00:0.00:0.00'

No = Consecutive segment number
 MaxOcc = Maximum occurrence of the segment/group
 Counter = Counter of segment/group within the standard

St = Status
 EDIFACT: M=Mandatory, C=Conditional
 User specific: R=Required, O=Optional, D=Dependent,
 A=Advised, N=Not used

EURO-LOG ZF TMS IFCSUM

Segments

Group:	SG25	Status: R	MaxOcc: 9999	Counter: 1120 CNI-DTM-FTX-SG31-SG32-SG43-SG50
Group:	SG50	Status: R	MaxOcc: 999	Counter: 2230 GID-FTX-SG52-SG53-SG55-SG65
Group:	SG55	Status: C	MaxOcc: 999	Counter: 2470 PCI-MEA
Segment:	PCI	No: 37 Status: M	Level: 3 MaxOcc: 1	Counter: 2480 Package identification

		Standard	Implementation	
Tag	Name	St Format	St Format	Usage / Remarks
PCI				
4233	Marking instructions code	C an..3	C an..3	28 Mark free text
C210	Marks & labels	C	C	
7102	Shipping marks description	M an..35	M an..35	Handling unit number
7102	Shipping marks description	C an..35	N an..35	Not used
7102	Shipping marks description	C an..35	N an..35	Not used
7102	Shipping marks description	C an..35	N an..35	Not used
7102	Shipping marks description	C an..35	N an..35	Not used
7102	Shipping marks description	C an..35	N an..35	Not used
7102	Shipping marks description	C an..35	N an..35	Not used
7102	Shipping marks description	C an..35	N an..35	Not used
7102	Shipping marks description	C an..35	N an..35	Not used
8275	Container or package contents indicator code	C an..3	N an..3	Not used
C827	Type of marking	C	N	
7511	Marking type code	M an..3	N an..3	Not used
1131	Code list identification code	C an..17	N an..17	Not used
3055	Code list responsible agency code	C an..3	N an..3	Not used

Remark:

Example:

PCI+28+0815'

No = Consecutive segment number
 MaxOcc = Maximum occurrence of the segment/group
 Counter = Counter of segment/group within the standard

St = Status
 EDIFACT: M=Mandatory, C=Conditional
 User specific: R=Required, O=Optional, D=Dependent,
 A=Advised, N=Not used

EURO-LOG ZF TMS IFCSUM

Segments

Group:	SG25	Status: R	MaxOcc: 9999	Counter: 1120 CNI-DTM-FTX-SG31-SG32-SG43-SG50
Group:	SG50	Status: R	MaxOcc: 999	Counter: 2230 GID-FTX-SG52-SG53-SG55-SG65
Group:	SG55	Status: C	MaxOcc: 999	Counter: 2470 PCI-MEA
Segment:	MEA	No: 38 Status: C	Level: 4 MaxOcc: 9	Counter: 2520 Measurements

		Standard	Implementation	
Tag	Name	St Format	St Format	Usage / Remarks
MEA				
6311	Measurement purpose code qualifier	M an..3	M an..3	PL Package limitations
C502	Measurement details	C	C	
6313	Measured attribute code	C an..3	C an..3	AEB Stacking height
6321	Measurement significance code	C an..3	N an..3	Not used
6155	Non-discrete measurement name code	C an..17	N an..17	Not used
6154	Non-discrete measurement name	C an..70	N an..70	Not used
C174	Value/range	C	C	
6411	Measurement unit code	M an..3	M an..3	H87 Piece
6314	Measurement value	C an..18	C an..18	Stackingfactor
6162	Range minimum value	C n..18	N n..18	Not used
6152	Range maximum value	C n..18	N n..18	Not used
6432	Significant digits quantity	C n..2	N n..2	Not used
7383	Surface or layer code	C an..3	N an..3	Not used

Remark:

Example:

MEA+PL+AEB+H87:3.00'

No = Consecutive segment number
 MaxOcc = Maximum occurrence of the segment/group
 Counter = Counter of segment/group within the standard

St = Status
 EDIFACT: M=Mandatory, C=Conditional
 User specific: R=Required, O=Optional, D=Dependent,
 A=Advised, N=Not used

EURO-LOG ZF TMS IFCSUM

Segments

Group:	SG25	Status: R	MaxOcc: 9999	Counter: 1120 CNI-DTM-FTX-SG31-SG32-SG43-SG50
Group:	SG50	Status: R	MaxOcc: 999	Counter: 2230 GID-FTX-SG52-SG53-SG55-SG65
Group:	SG65	Status: C	MaxOcc: 99	Counter: 2910 DGS
Segment:	DGS	No: 39 Status: M	Level: 3 MaxOcc: 1	Counter: 2920 Dangerous goods

		Standard	Implementation	
Tag	Name	St Format	St Format	Usage / Remarks
DGS				
8273	Dangerous goods regulations code	C an..3	N an..3	Not used
C205	Hazard code	C	N	
8351	Hazard identification code	M an..7	N an..7	Not used
8078	Additional hazard classification identifier	C an..7	N an..7	Not used
8092	Hazard code version identifier	C an..10	N an..10	Not used
C234	UNDG information	C	C	
7124	United Nations Dangerous Goods (UNDG) identifier	C n4	C n4	
7088	Dangerous goods flashpoint value	C an..8	N an..8	Not used
C223	Dangerous goods shipment flashpoint	C	N	
7106	Shipment flashpoint value	C n3	N n3	Not used
6411	Measurement unit code	C an..3	N an..3	Not used
8339	Packaging danger level code	C an..3	N an..3	Not used
8364	Emergency procedure for ships identifier	C an..6	N an..6	Not used
8410	Hazard medical first aid guide identifier	C an..4	N an..4	Not used
8126	Transport emergency card identifier	C an..10	N an..10	Not used
C235	Hazard identification placard details	C	N	
8158	Orange hazard placard upper part identifier	C an..4	N an..4	Not used
8186	Orange hazard placard lower part identifier	C an4	N an4	Not used
C236	Dangerous goods label	C	N	
8246	Dangerous goods marking identifier	C an..4	N an..4	Not used
8246	Dangerous goods marking identifier	C an..4	N an..4	Not used
8246	Dangerous goods marking identifier	C an..4	N an..4	Not used
8255	Packing instruction type code	C an..3	N an..3	Not used

No = Consecutive segment number
 MaxOcc = Maximum occurrence of the segment/group
 Counter = Counter of segment/group within the standard

St = Status
 EDIFACT: M=Mandatory, C=Conditional
 User specific: R=Required, O=Optional, D=Dependent,
 A=Advised, N=Not used

EURO-LOG ZF TMS IFCSUM

Segments

		Standard	Implementation	
Tag	Name	St Format	St Format	Usage / Remarks
8325	Hazardous means of transport category code	C an..3	N an..3	Not used
8211	Hazardous cargo transport authorisation code	C an..3	N an..3	Not used

Remark:

Example:

DGS+++3077'

No = Consecutive segment number
MaxOcc = Maximum occurrence of the segment/group
Counter = Counter of segment/group within the standard

St = Status
EDIFACT: M=Mandatory, C=Conditional
User specific: R=Required, O=Optional, D=Dependent,
A=Advised, N=Not used

EURO-LOG ZF TMS IFCSUM

Segments

Segment: **UNT** No: **40** Level: **0** Counter: **3370**
Status: **M** MaxOcc: **1** **Message trailer**

		Standard	Implementation	
Tag	Name	St Format	St Format	Usage / Remarks
UNT				
0074	Number of segments in the message	M n..6	M n..6	
0062	Message reference number	M an..14	M an..14	

Remark:

Example:

UNT+38+1'

No = Consecutive segment number
MaxOcc = Maximum occurrence of the segment/group
Counter = Counter of segment/group within the standard

St = Status
EDIFACT: M=Mandatory, C=Conditional
User specific: R=Required, O=Optional, D=Dependent,
A=Advised, N=Not used

EURO-LOG ZF TMS IFCSUM

Segments

Segment:

UNZ

No: 41
Status: M

Level: 0
MaxOcc: 1

Counter: 0000
Interchange trailer

		Standard	Implementation	
Tag	Name	St Format	St Format	Usage / Remarks
UNZ				
0036	Interchange control count	M n..6	M n..6	
0020	Interchange control reference	M an..14	M an..14	

Remark:

Example:

UNZ+1+X'

No = Consecutive segment number
MaxOcc = Maximum occurrence of the segment/group
Counter = Counter of segment/group within the standard

St = Status
EDIFACT: M=Mandatory, C=Conditional
User specific: R=Required, O=Optional, D=Dependent,
A=Advised, N=Not used

EURO-LOG ZF TMS IFCSUM

Example Message

No	Tag	Segment example
01	UNA	UNA:+.? '
02	UNB	UNB+UNOC:3+Sender+Receiver+190208:1007+X'
03	UNH	UNH+1+IFCSUM:D:01B:UN'
04	BGM	BGM+610+20852990+5'
05	DTM	DTM+137:201411111422:203'
06	FTX	FTX+AAI+++X'
07	FTX	FTX+DEL+++0123456789, 0987654321'
08	CNT	CNT+7:881.91'
09	CNT	CNT+10:1.00'
10	CNT	CNT+11:1.00'
	SG1	
11	RFF	RFF+SRN:1127733'
	SG4	
12	NAD	NAD+CA+12345'
	SG9	
13	TDT	TDT+20++30:FTL++++:::W 101349'
14	TSR	TSR+6++SNT+12'
	SG11	
15	MEA	MEA+LMT++MTR:5.40'
	SG25	
16	CNI	CNI+1+3315223'
17	DTM	DTM+200:201401220800-201401221800:719'
18	DTM	DTM+2:201401220800-201401221800:719'
19	FTX	FTX+TRA+++Load remark'
	SG31	
20	TOD	TOD+6++CFR'
21	LOC	LOC+1+:::Paris'
	SG32	
22	RFF	RFF+CUA:12345678'
	SG32	
23	RFF	RFF+CR1:345678901'
	SG43	
24	NAD	NAD+CZ+XX123++CompanyName1:Name2+StreetXY+CityXY++1234567+ZZ'
25	LOC	LOC+7+:::XXXXXX'
	SG44	
26	CTA	CTA+CO+:Mr. Mustermann'
27	COM	COM+dontsend@eurolog.com:EM'
28	COM	COM+0049 (0) 811 9595-0:FX'
29	COM	COM+0049 (0) 811 9595-0:TE'

No = Consecutive segment number

EURO-LOG ZF TMS IF

IFCSUM / UN D.01B S3

Issue date 7/19/2024

Print date 7/19/2024

Vertraulich/Confidential

Generated by GEFEF.FX

EURO-LOG ZF TMS IFCSUM

Example Message

No	Tag	Segment example
30	COM	COM+0049 (0) 811 9595-0:AL'
	SG50	
31	GID	GID+1+7:PE'
32	FTX	FTX+AAA+++MIXED PRODUCTS:X:X'
	SG52	
33	MEA	MEA+WT++KGM:881.91'
	SG52	
34	MEA	MEA+VOL++MTQ:3.78'
	SG52	
35	MEA	MEA+LMT++MTQ:3.78'
	SG53	
36	DIM	DIM+1+MTR:0.00:0.00:0.00'
	SG55	
37	PCI	PCI+28+0815'
38	MEA	MEA+PL+AEB+H87:3.00'
	SG65	
39	DGS	DGS+++3077'
40	UNT	UNT+38+1'
41	UNZ	UNZ+1+X'

No = Consecutive segment number

EURO-LOG ZF TMS IF

IFCSUM / UN D.01B S3

Issue date 7/19/2024

Print date 7/19/2024

Vertraulich/Confidential

Generated by GEFEG.FX